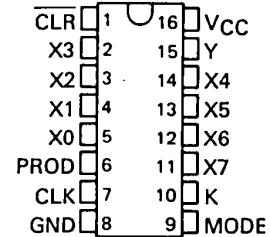


# TYPES SN54LS384, SN74LS384 8-BIT BY 1-BIT TWO'S-COMPLEMENT MULTIPLIERS

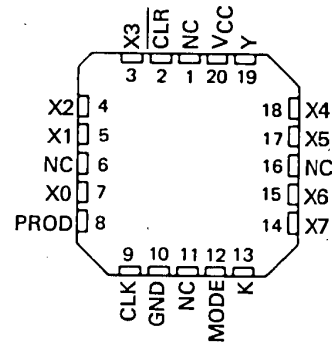
D2419, JANUARY 1981 — REVISED DECEMBER 1983

- Two's-Complement Multiplication
- Magnitude Only Multiplication
- Cascadable for Any Number of Bits
- 8-Bit Parallel Multiplicand Data Input
- Serial Multiplier Data Input
- Serial Data Output for Multiplication Product
- 40 MHz Typical Maximum Clock Frequency

SN54LS384 ... J PACKAGE  
SN74LS384 ... J OR N PACKAGE  
(TOP VIEW)



SN54LS384 ... FK PACKAGE  
SN74LS384 ... FN PACKAGE  
(TOP VIEW)



NC — No internal connection

## description

The 'LS384 is an 8-bit by 1-bit sequential logic element that performs digital multiplication of two numbers represented in two's-complement form to produce a two's-complement product without external correction by using Booth's algorithm internally. The device accepts an 8-bit multiplicand (X input) and stores this data in eight internal latches. These X latches are controlled via the clear input. When the clear input is low, all internal flip-flops are cleared and the X latches are opened to accept new multiplicand data. When the clear input is high, the latches are closed and are insensitive to X input changes.

The multiplier word data is passed by the Y input in a serial bit stream, least significant bit first. The product is clocked out the PROD output, least significant bit first.

The multiplication of an m-bit multiplicand by an n-bit multiplier results in an (m + n)-bit product. The 'LS384 must be clocked for m + n clock cycles to produce this two's complement product. The n-bit multiplier (Y-input) sign bit data must be extended for the remaining m bits to complete the multiplication cycle.

The device also contains a K input so that devices can be cascaded for longer length X words. The PROD output of one device is connected to the K input of the succeeding device when cascading. The mode input is used to indicate which device contains the most significant bit. The mode input is wired high or low depending on the position of the 8-bit slice in the total X word length. The device with the most significant bit is wired low and all lower order bit packages are wired high.

The SN54LS384 will be characterized for operation over the full military temperature range from  $-55^{\circ}\text{C}$  to  $125^{\circ}\text{C}$ . The SN74LS384 will be characterized for operation from  $0^{\circ}\text{C}$  to  $70^{\circ}\text{C}$ .

**PRODUCTION DATA**  
This document contains information current as of publication date. Products conform to specifications per the terms of Texas Instruments standard warranty. Production processing does not necessarily include testing of all parameters.

TEXAS  
INSTRUMENTS

POST OFFICE BOX 225012 • DALLAS, TEXAS 75265

3-1045

3

TTL DEVICES

# TYPES SN54LS384, SN74LS384

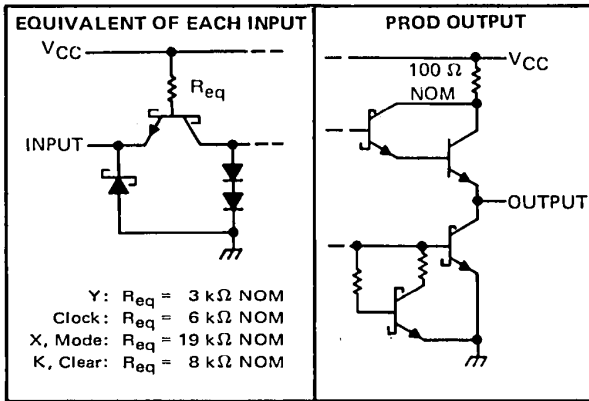
## 8-BIT BY 1-BIT TWO'S-COMPLEMENT MULTIPLIERS

FUNCTION TABLE

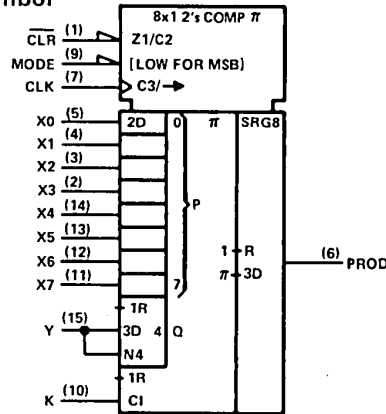
INPUTS				INTERNAL Y <sub>-1</sub>	OUTPUT PROD	FUNCTION
CLR	CLK	X <sub>i</sub>	Y			
L	X	Data	X	L	L	Load new multiplicand and clear internal sum and carry registers
H	↑	X	L	L	Output per Booth's algorithm	Shift sum register
H	↑	X	L	H		Add multiplicand to sum register and shift
H	↑	X	H	L		Subtract multiplicand from sum register and shift
H	↑	X	H	H		Shift sum register

H = high-level, L = low-level, X = irrelevant, ↑ = low-to-high-level transition

### schematics of inputs and outputs



### logic symbol

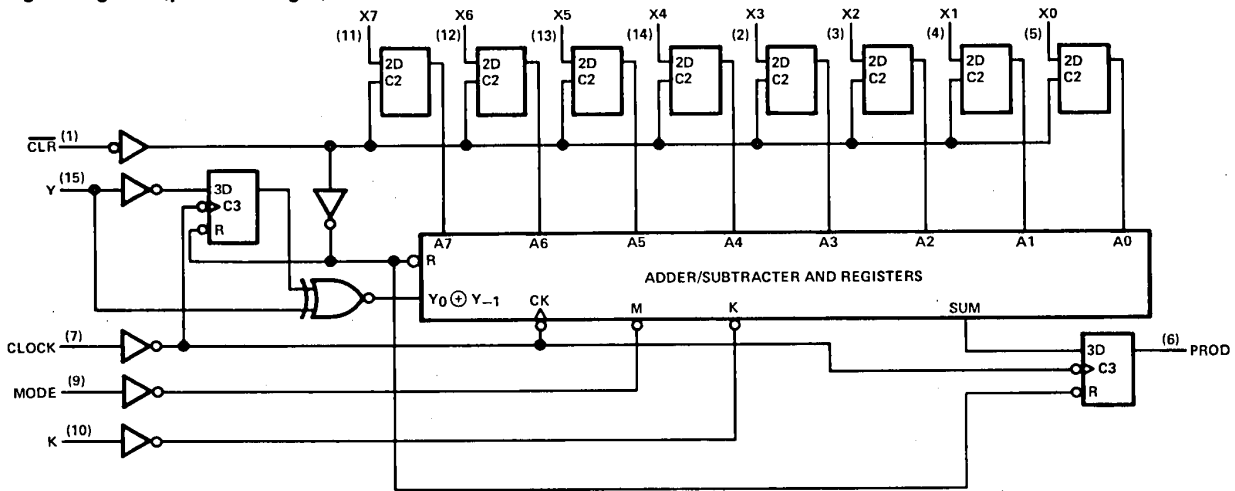


Pin numbers shown on logic notation are for J or N packages.

3

TTL DEVICES

### logic diagram (positive logic)



### absolute maximum ratings over operating free-air temperature range (unless otherwise noted)

Supply voltage, V <sub>CC</sub> (see Note 1)	7 V
Input voltage (see Note 2)	5.5 V
Operating free-air temperature range: SN54LS384	-55°C to 125°C
SN74LS384	0°C to 70°C
Storage temperature range	-65°C to 150°C

NOTES: 1. Voltage values are with respect to network ground terminal.  
 2. Input voltages must be zero or positive with respect to network ground terminal.

# TYPES SN54LS384, SN74LS384 8-BIT BY 1-BIT TWO'S-COMPLEMENT MULTIPLIERS

## recommended operating conditions

	SN54LS384			SN74LS384			UNIT
	MIN	NOM	MAX	MIN	NOM	MAX	
Supply voltage, $V_{CC}$	4.5	5	5.5	4.75	5	5.25	V
High-level output current, $I_{OH}$			-400			-400	$\mu$ A
Low-level output current, $I_{OL}$			4			8	mA
Clock frequency, $f_{clock}$	0		25	0		25	MHz
Setup time, $t_{SU}$	Y before Clock $\uparrow$		45	38		ns	
	K before Clock $\uparrow$		30	24			
	X before Clear $\uparrow$		23	19			
Clear inactive-state set up time before Clock $\uparrow$			30	20		ns	
Hold time, $t_H$	Y after Clock $\uparrow$		0	0			
	K after Clock $\uparrow$		0	0			
	X after Clear $\uparrow$		2	2			
Pulse width, $t_W$	Clock high		20	20		ns	
	Clock low		20	20			
	Clear low		38	33			
Operating free-air temperature, $T_A$			-55	125	0	70	$^{\circ}$ C

## electrical characteristics over recommended operating free-air temperature range (unless otherwise noted)

PARAMETER	TEST CONDITIONS <sup>†</sup>	SN54LS384			SN74LS384			UNIT
		MIN	TYP <sup>‡</sup>	MAX	MIN	TYP <sup>‡</sup>	MAX	
$V_{IH}$ High-level input voltage		2			2			V
$V_{IL}$ Low-level input voltage				0.7			0.8	V
$V_{IK}$ Input clamp voltage	$V_{CC} = \text{MIN}, I_I = -18 \text{ mA}$			-1.5			-1.5	V
$V_{OH}$ High-level output voltage	$V_{CC} = \text{MIN}, V_{IH} = 2 \text{ V}, V_{IL} = V_{IL \text{ max}}, V_{OH} = -400 \mu\text{A}$	2.5	3.4		2.7	3.4		V
$V_{OL}$ Low-level output voltage	$V_{CC} = \text{MIN}, V_{IH} = 2 \text{ V}, V_{IL} = V_{IL \text{ max}}$	$I_{OL} = 4 \text{ mA}$	0.25	0.4	0.25	0.4	V	
		$I_{OL} = 8 \text{ mA}$			0.35	0.5		
$I_I$ Input current at maximum input voltage	$V_{CC} = \text{MAX}, V_I = 5.5 \text{ V}$			1			1	mA
$I_{IH}$ High-level input current	X, Mode K, Clear Clock Y $V_{CC} = \text{MAX}, V_I = 2.7 \text{ V}$			20			20	$\mu$ A
				30			30	
				40			40	
				80			80	
$I_{IL}$ Low-level input current	X, Mode K, Clear Clock Y $V_{CC} = \text{MAX}, V_I = 0.4 \text{ V}$			-0.48			-0.48	mA
				-1.2			-1.2	
				-1.6			-1.6	
				-3.2			-3.2	
$I_{OS}$ Short-circuit output current <sup>§</sup>	$V_{CC} = \text{MAX}$	-20	-100		-20	-100		mA
$I_{CC}$ Supply current	$V_{CC} = \text{MAX},$ See Note 3		91	155		91	155	mA

<sup>†</sup>For conditions shown at MIN or MAX, use the appropriate value specified under recommended operating conditions.

<sup>‡</sup>All typical values are at  $V_{CC} = 5 \text{ V}, T_A = 25^{\circ}\text{C}$ .

<sup>§</sup>Not more than one output should be shorted at a time, and duration of the short-circuit should not exceed one second.

NOTE 3:  $I_{CC}$  is measured with the clear input grounded and all other inputs and outputs open.

## switching characteristics, $V_{CC} = 5 \text{ V}, T_A = 25^{\circ}\text{C}$

PARAMETER	TEST CONDITIONS	MIN	TYP	MAX	UNIT
$f_{max}$ Maximum clock frequency		25	40		MHz
$t_{PLH}$ Propagation delay time, low-to-high-level output from clock	$C_L = 15 \text{ pF},$ $R_L = 2 \text{ k}\Omega,$ See Note 4		15	23	ns
$t_{PHL}$ Propagation delay time, high-to-low-level output from clock			15	23	ns
$t_{PHL}$ Propagation delay time, high-to-low-level output from clear			17	25	ns

NOTE 4: See General Information Section for load circuits and voltage waveforms.

  
**TEXAS  
INSTRUMENTS**

POST OFFICE BOX 225012 • DALLAS, TEXAS 75265

3-1047

3

TTL DEVICES

TYPES SN54LS384, SN74LS384  
 8-BIT BY 1-BIT TWO'S-COMPLEMENT MULTIPLIERS

TYPICAL APPLICATION DATA

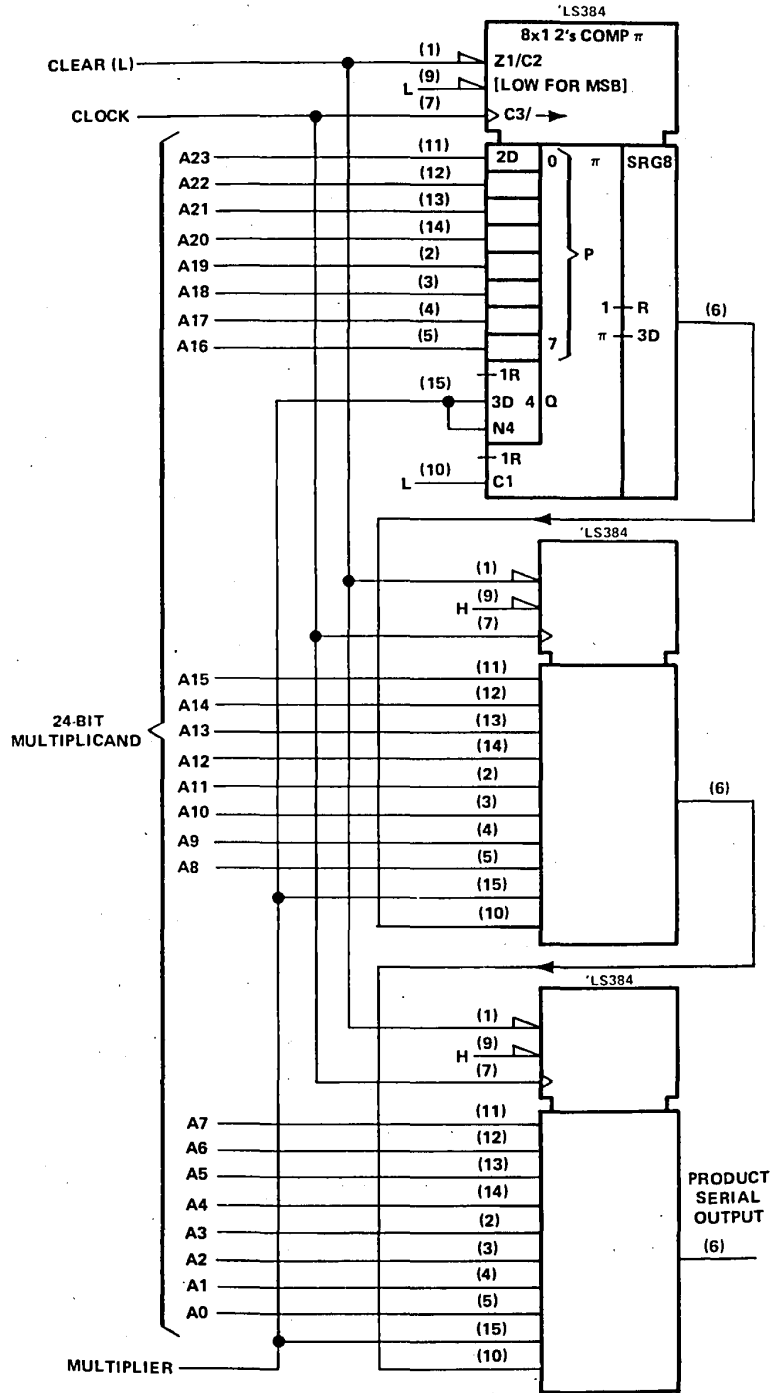


FIGURE 1—BASIC 24-BIT SERIAL/PARALLEL CONNECTION

TYPES SN54LS384, SN74LS384  
8-BIT BY 1-BIT TWO'S-COMPLEMENT MULTIPLIERS

TYPICAL APPLICATION DATA

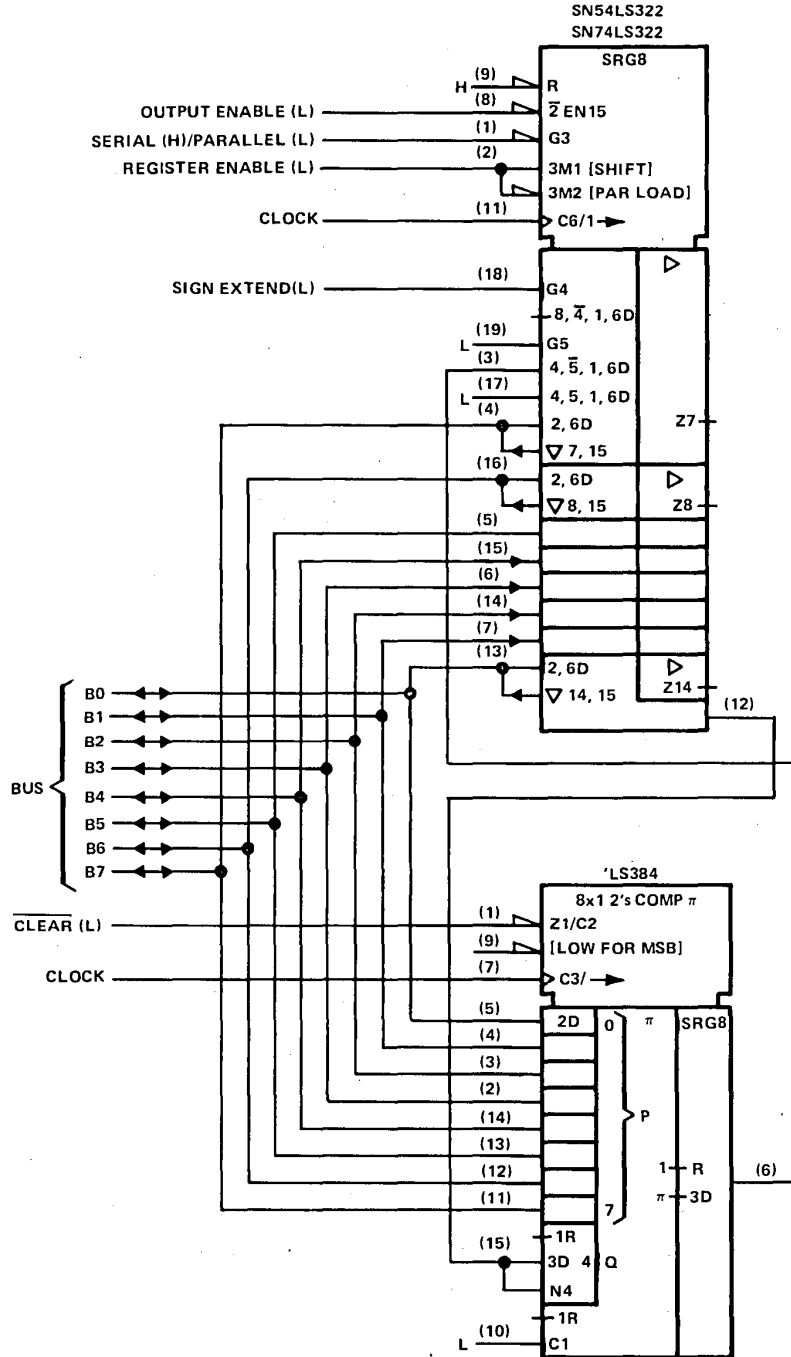


FIGURE 2-8-BIT BY 8-BIT MULTIPLIER, BUS ORGANIZED,  
WITH 8-BIT TRUNCATED PRODUCT

TTL DEVICES